

# Harris

## *H562 Series Shear/Logger/Baler*

Model H562DT Diesel  
Transportable Shown



### Processes:

Selected #1 & #2 Scrap

Misc Light Scrap

Shapes

Auto Body Parts

White Goods

Pipe

**H562DT Diesel Transportable  
Shear/Logger/Baler**

**H562SE Stationary Electric  
Shear/Logger/Baler**



# Harris

200 Clover Reach Dr  
Peachtree City, GA 30269

(800) 373-9131  
(770) 631-7290

(770) 631-7299 FAX  
[www.harriswaste.com](http://www.harriswaste.com)

# Harris H562 Series

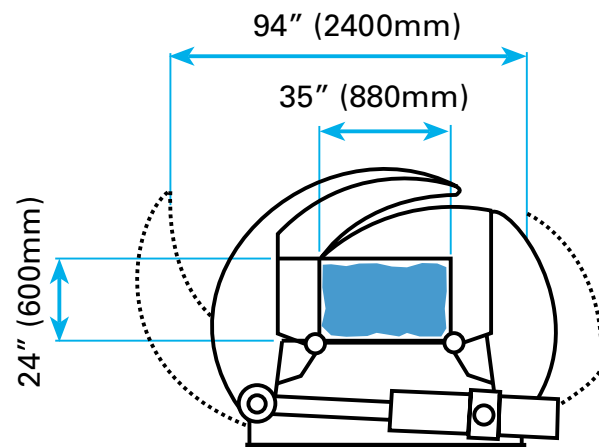
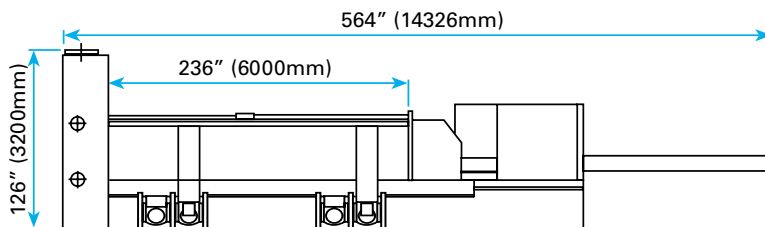
## Shear/Logger/Baler

Box Open Dimensions	236"L x 95"W x 39"D (6000mm x 2400mm x 990mm)
Box Closed Dimensions	236"L x 35"W x 24"D (6000mm x 880mm x 600mm)
Shear Throat	37"W x 25"H (940mm x 635mm)
Shearing Force	520 tons (470 tonne)
Clamp Force	99 tons (90 tonne)
Shearing Capacity	Mild Steel Plate 2 1/4" x 34" (57mm x 864mm)
Production Rate (shearing)	Up to 16 tons/hr (14.5 tonne/hr)
Cuts per Minute	Up to 5.5 crosshead only (empty). 4 @ 24" feed length, with clamp, unloaded
Side Force	253 tons, each side (230 tonne)
Baling Force	150 tons (136 tonne)
Bale Size	35"W x 24"H x V (880mm x 600mm x V)
Bale Density	60 - 85 lbs/cu ft. (960 - 1400 kg/cu meter)
Bale Weight (average)	880 lbs. (400 kg)
Log Density	25 - 40 lbs/cu ft. (400 - 640 kg/cu meter)
Log Weight (average)	Up to 1600 lbs (730 kg)
<small>PERFORMANCE RATES, BALE WEIGHTS, AND BALE DENSITIES ARE SUBJECT TO MATERIAL PRE-BALE DENSITIES, FEED RATES, AND OTHER VARIABLES IN BALING.</small>	
Production Rate (baling)	20 - 30 bales/hr. Up to 13 tons/hr
Production Rate (logging)	Up to 16 tons/hr.
562DT-Diesel Engine	(1) 214 HP, @ 1800 RPM (160 kw)
562DT-Diesel Fuel Capacity	80 gallons (300 Liters)
562SE Electric Motor	200 HP 3/60/480v
Main Pump	Pressure-compensated, Torque-limited piston & heavy-duty vane
Shear Cylinders	(2) Maximum Force 520 tons (471 tonne) (260 tons each) (236 tonne)
Clamp Cylinder	(1) Maximum Force 99 tons (90 tonne)
Feed Cylinder	(1) Maximum Force 150 tons (136 tonne)
Side Compression Cylinders	(4) Maximum Force 506 tons (460 tonne) (253 tons each side) (230 tonne)
562DT-Lifting Cylinders	(4) Maximum Force 80 tons (total) (73 tonne)
Oil Reservoir	530 gallon capacity (2000 liters)
Hydraulic Oil Filtration	5 & 10 micron replaceable cartridge
Gross Weight	62 tons, approx. (56 tonne approx.)

M00003

revised 9/04

Specifications subject to change without notice.



200 Clover Reach Drive  
 Peachtree City, GA 30269  
[www.harriswaste.com](http://www.harriswaste.com)  
 770-631-7290  
 800-373-9131  
 770-631-7299 fax